

# T343 Track Light

Remote Dimming and  
White Tuning Integrated LED  
Lighting Fixture

Project Name: \_\_\_\_\_

Location: \_\_\_\_\_

Quantity: \_\_\_\_\_

Notes: \_\_\_\_\_

## Product Description

The incredibly compact 343 track head is remotely dimmable and tunable from 2500K to 5500K with a handheld transmitter or smart phones. The broad range of colour temperature and a wide variety of beam shapes help a lighting designer tailor the mood of a space to user needs and desires. The flexibility of this track light is ideal for art galleries, retail and residential applications.

## Options

Example: T343-22-H-B-RF-62SN

Series	Beam Angle	Adaptor	Finish	Control
<b>T343</b>	<input type="text"/>	<input type="text"/>	<input type="text"/>	<input type="text"/>
20W tunable white integrated LED track light fixture	16 - 16° 22 - 22° 35 - 35° 45 - 45°	H - Halo J - Juno L - Lightolier G - Global	B - Black W - White S - Silver	RF- 2.4G RF BT- Bluetooth

## Accessories



**62-WW**  
Wall Wash Filter



**62-40D**  
40° Diffuser



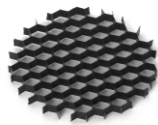
**62-OV**  
Oval Flood Filter



**62-24D**  
24° Diffuser



**62-SN**  
Snoot

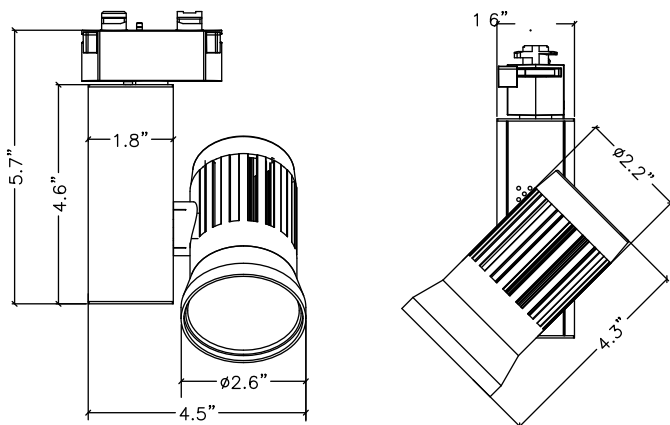


**62-HC**  
Honeycomb Louvre



**62-BD**  
Barn Door

## Dimensions



## Specifications

CCT: tunable 2500K to 5500K  
 CRI: >90  
 Dimming: Remote transmitter or smart phone  
 Total lumen output: 2200 lm  
 Delivered lumen: 1500 lm  
 Track connector: "H"/ "J"/ "L"/ "G"  
 Power consumption: 20W  
 Power Factor: >0.9  
 Input Voltage: 120V, 60Hz  
 Approved Location: IP20, Dry  
 Lumen Maintenance: 70% @ 60,000 Hrs  
 Approved location: IP20, Dry  
 Tilt : 270°  
 Rotate: 365°  
 THD <20%  
 Certification: cETLus

# T345

## Integrated LED Track Light

### Features

#### Light Source:

At the core of 345 tunable track light is the bi-colour COB LED module. The module is made with advanced Chip Scale Coating technology, which generates well mixed warm and cool colour of lights and produces a homogeneous beam spot.

**Optics:** Total Internal Reflection (TIR) lenses provides highly precise beam shapes. They have minimal glare and spill, reducing the occurrence of scallops when aiming on vertical surfaces

**Driver:** The ELV dimmable driver, available in 350ma (12W) and 550ma(20W), is housed in an extruded aluminum housing. The drivers is positioned remotely from the light engine to optimize its efficiency and lifespan.

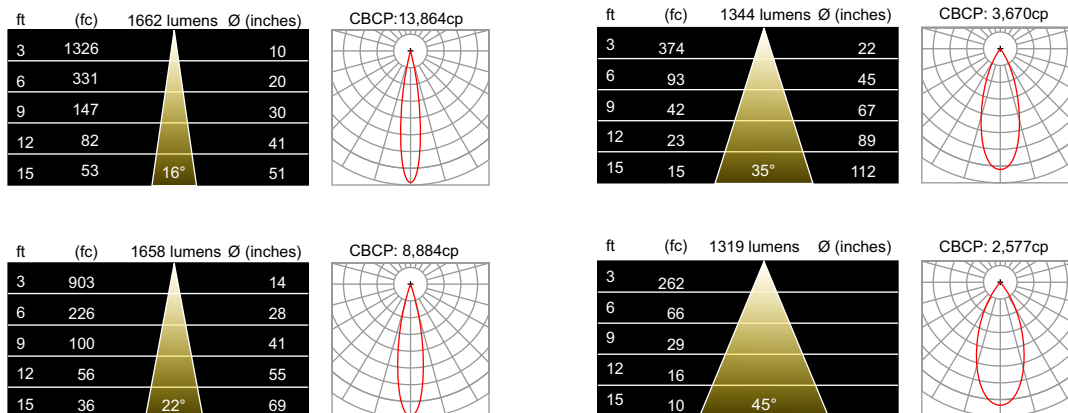
**Heat Sink** is made of cold forged aluminum, which effectively dissipates heat generated by the LED to optimize the lifespan. The pin fin construction and the high purity aluminum provides very high heat dissipation efficiency, three times of conventional die-cast heat sinks.

**Remote Control:** The handheld and the wall mount 2.4G RF transmitter dims and tunes up to 100 channels. Alternatively, a smart phone can control unlimited channels via blue tooth.

**Mounting:** Allows for 365° rotation and 270° tilt to eliminate blind spots.



### Photometric Data



Data shown is for 3000K. Multiply fc by the following adjustment factors for other colour temperatures

CCT	2500K	3000K	4000K	5000K	5500K
Adjustment factors	0.88	1.00	1.07	1.12	1.15