

T345 Track Light

ELV DIMMABLE

Integrated LED Lighting Fixture

Project Name: _____

Location: _____

Quantity: _____

Notes: _____

Product Description

T345 is an ideal choice to meet the functional and aesthetic requirements for display, accent and task lighting. The fixtures feature integral COB LED light source and TIR lenses that provides a wide choices of beam angles and shapes. The compact size is unobtrusive and can be easily concealed in recessed channels and covers.

Options

Example: T345-20-30C-16-H-B-62SN

Series	Power	COB (Colour Quality)	Beam Angle	Adaptor	Finish
T345	<input type="text"/>	<input type="text"/>	<input type="text"/>	<input type="text"/>	<input type="text"/>
Integrated LED track light fixture	12 - 12W 20 - 20W	25T - 2500K, CRI>95 27T - 2700K, CRI>95 30T - 3000K, CRI>95 30C - 3000K, CRI>90 35C - 3500K, CRI>90 40C - 4000K, CRI>90 DW - Dim Warming CRI>80 SO - Special Order	8 - 8° (12W only) 16 - 16° 22 - 22° 35 - 35° 45 - 45°	H - Halo J - Juno L - Lightolier G - Global	B - Black W - White S - Silver



Accessories

- 62-OV - 62mm. Oval Flood Filter
- 62-WW - 62mm. Wall Wash Filter
- 62-24D - 62mm. 24° Diffuse Filter
- 62-40D - 62mm. 40° Diffuse Filter
- 62-SN - 62mm. Snoot
- 62-BD - 62mm. Barn Door
- 62-HC - 62mm. Honeycomb Louvre

Features

Light Source:

Impressionist, "C" Series COB LED, emits colour boosting light that makes white appear whiter and colours more brilliant. It has a CRI value of >90 and available in 3000K and 4000K.

Realist, "T" Series COB LED, mimics the full spectrum light characteristics of incandescent lamps having CRI>95. It is available in 2500K, 2700K and 3000K.

Optics: Total Internal Reflection (TIR) lenses provides highly precise beam shapes. They have minimal glare and spill, reducing the occurrence of scallops when aiming on vertical surfaces .

Heat Sink is made of cold forged aluminum, which effectively dissipates heat generated by the LED to optimize the lifespan. The pin fin construction and the high purity aluminum provides very high heat dissipation efficiency, three times of conventional die-cast heat sinks.

Driver: The ELV dimmable driver, available in 350ma (12W) and 550ma(20W), is housed in an extruded aluminum housing. The drivers is positioned remotely from the light engine to optimize its efficiency and lifespan.

Mounting: Allows for 365° rotation and 270° tilt to eliminate blind spots.

Specifications

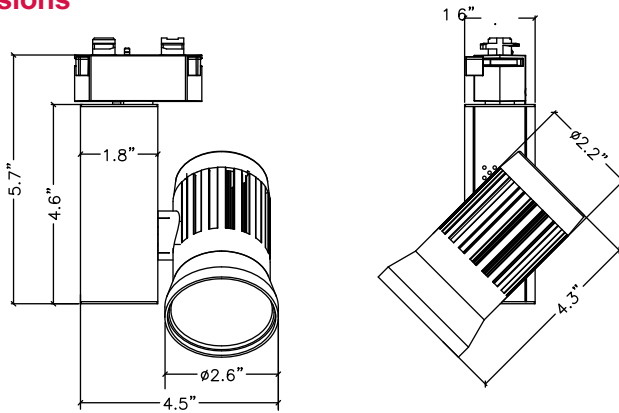
- CCT: 2500K/2700K/3000K/4000K
- CRI: >90/>95
- Dimming: ELV
- Total lumen output: 2200 lm @ 20W
- Delivered lumen: 1500 lm @ 20W
- Track connector: "H"/ "J"/ "L"/ "G"
- Power consumption: 12W/20W
- Power Factor: >0.9
- Input Voltage: 120V, 60Hz
- Approved Location: IP20, Dry
- Lumen Maintenance: 70% @ 60,000 Hrs
- Approved location: IP20. Dry
- Tilt : 270°
- Rotate: 365°
- THD <20%
- Certification: cETLus



T345

Integrated LED Track Light

Dimensions

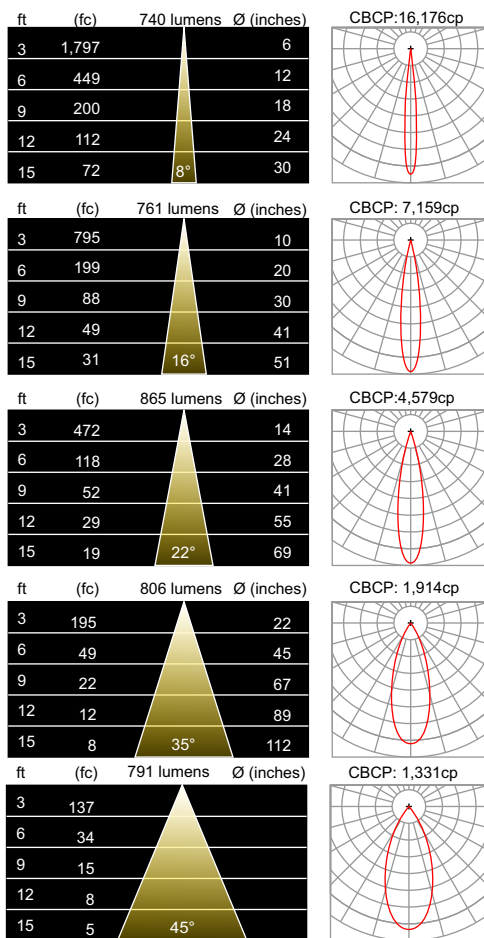


Compatible Dimmers

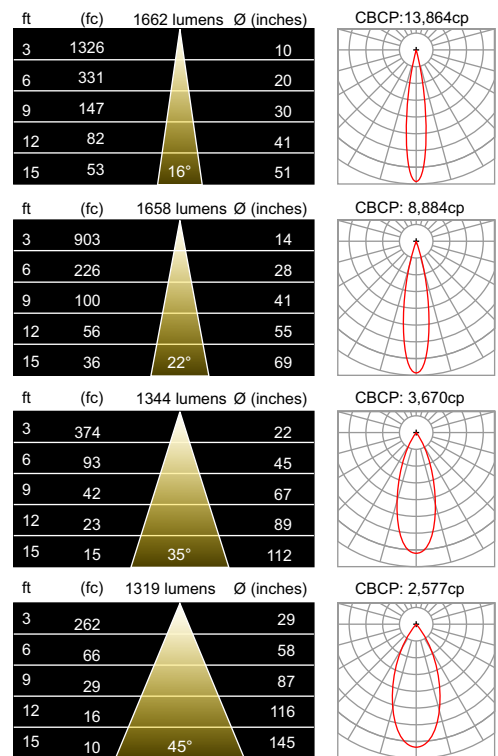
LUTRON	CN-503P	LEVITON	IPE04-LA
LUTRON	AYLV-600P-LA	LEVITON	IPL06
LUTRON	DV-603P	LEVITON	NO.6631
LUTRON	DV-600P	LEVITON	MDI06-1LW
LUTRON	CTCL-153PD	LEVITON	C20-6681-IW
LUTRON	DVCL-153P		
LUTRON	LG-600P		
LUTRON	GL-603P		
LUTRON	NT603 WH		
LUTRON	MACL-153M		
LUTRON	SCL-153P		
LUTRON	AYCL-153P		
LUTRON	GLS05-C2036		
LUTRON	LISTED 6B38		
LUTRON	CN600P		

Photometric Data for 30C COB

12W



20W



Data shown is for 30C COB (3000K, 90CRI). Multiply fc by the following adjustment factors for other COBs

COB Type	25C	27T	30T	30C	40C
Adjustment factors	0.88	0.92	0.96	1.00	1.07